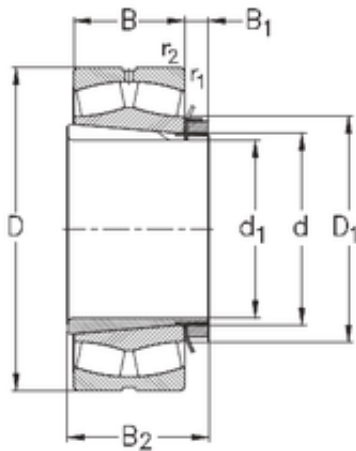




KRS Guide Wheel Bearing Co., Ltd

220 mm x 400 mm x 108 mm NKE 22244-K-MB-W33+OH3144-H spherical roller bearings

Bearing No. 22244-K-MB-W33+OH3144-H



22244-K-MB-W33+OH3144-H Bearing 2D drawings and 3D CAD models

Size	220x400x108 mm
Bore Diameter	220 mm
Outer Diameter	400 mm
Width	108 mm
d	220 mm
d1	200 mm
D	400 mm
B	108 mm
C	108 mm
r1 min.	4 mm
r2 min.	4 mm
B1	35 mm
B2	161 mm
D1	280 mm
Weight	76,4 Kg
Basic dynamic load rating (C)	1380 kN
Basic static load rating (C0)	2080 kN
Limiting speed	2000 r/min
Calculation factor (e)	0,28
Calculation factor (Y0)	2,2
Calculation factor (Y1)	2,4