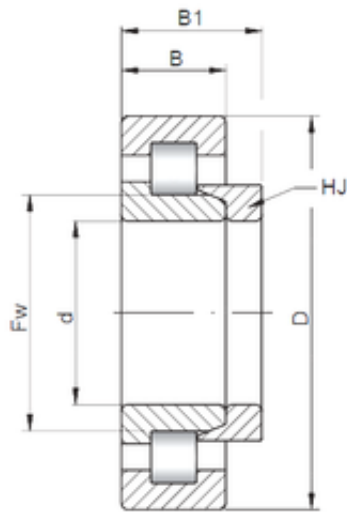




# KRS Guide Wheel Bearing Co., Ltd



220 mm x 400 mm x 108 mm ISO NH2244  
cylindrical roller bearings

Bearing No. NH2244

Size	220x400x108 mm
Bore Diameter	220 mm
Outer Diameter	400 mm
Width	108 mm
d	220 mm
D	400 mm
B	108 mm
C	108 mm
B1	15 mm
B2	29 mm

NH2244 Bearing 2D drawings and 3D CAD models