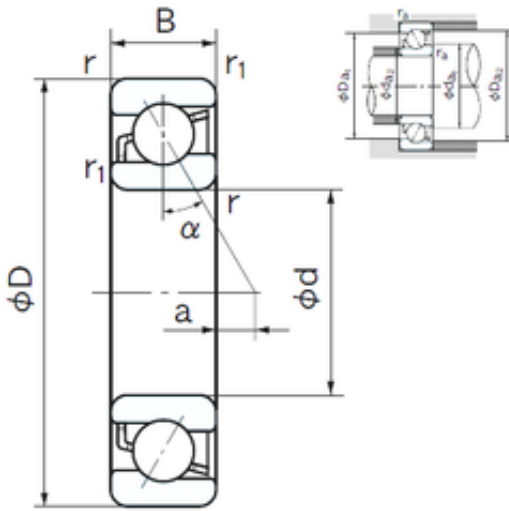




KRS Guide Wheel Bearing Co., Ltd



110 mm x 170 mm x 28 mm NACHI 7022C angular contact ball bearings

Bearing No. 7022C

7022C Bearing 2D drawings and 3D CAD models

Size	110x170x28 mm
Bore Diameter	110 mm
Outer Diameter	170 mm
Width	28 mm
d	110 mm
D	170 mm
B	28 mm
C	28 mm
Angle (°)	15 °
a	2.2 mm
r min.	2 mm
r1 min.	1 mm
da min.	118 mm
Da max.	162 mm
ra max.	2 mm
Weight	2.14 Kg
Basic dynamic load rating (C)	107 kN
Basic static load rating (C0)	104 kN
(Grease) Lubrication Speed	5700 r/min
Configuration	Single Row
Enclosure	Open
Bore Type	Cylindrical Bore
Bore Size	110 mm
Outside Diameter	170 mm
Width	28 mm



KRS Guide Wheel Bearing Co., Ltd

Fillet Radius/Chamfer	2 mm
r1	1 mm
Dynamic Load Rating	107,000 N
Static Load Rating	104,000 N
Limiting Speed - Grease	5,700 rpm
Limiting Speed - Oil	7,900 rpm
da1 (min)	118 mm
da2 (min)	118 mm
Da1 (max)	162 mm
Da2 (max)	165 mm
ra (max)	2 mm
ra1 (max)	1 mm