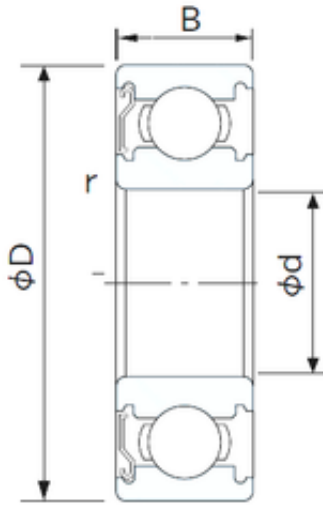




# KRS Guide Wheel Bearing Co., Ltd



110 mm x 170 mm x 28 mm CYSD 6022-Z deep groove ball bearings

Bearing No. 6022-Z

Size	110x170x28 mm
Bore Diameter	110 mm
Outer Diameter	170 mm
Width	28 mm
d	110 mm
D	170 mm
B	28 mm
C	28 mm
r min.	2 mm
Weight	1,94 Kg
Basic dynamic load rating (C)	85 kN
Basic static load rating (C0)	73 kN
(Grease) Lubrication Speed	3800 r/min

6022-Z Bearing 2D drawings and 3D CAD models