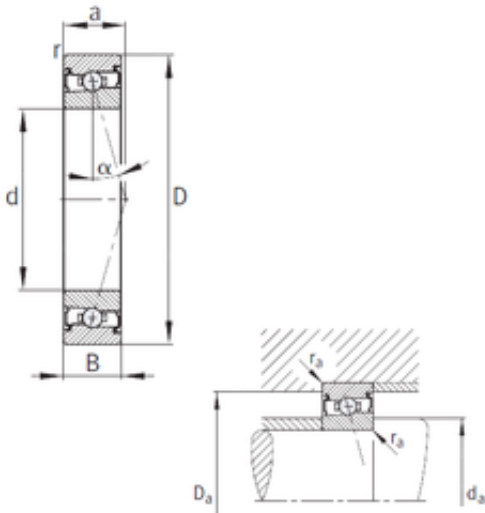




KRS Guide Wheel Bearing Co., Ltd

110 mm x 170 mm x 28 mm FAG HCS7022-C-T-P4S angular contact ball bearings

Bearing No. HCS7022-C-T-P4S



HCS7022-C-T-P4S Bearing 2D drawings and 3D CAD models

Size	110x170x28 mm
Bore Diameter	110 mm
Outer Diameter	170 mm
Width	28 mm
d	110 mm
D	170 mm
B	28 mm
C	28 mm
Angle (°)	15 °
a	33 mm
r min.	2 mm
Da	159 mm
ra max.	2 mm
da	121 mm
Weight	2,05 Kg
Basic dynamic load rating (C)	34,5 kN
Basic static load rating (C0)	42 kN
(Grease) Lubrication Speed	11 000 r/min