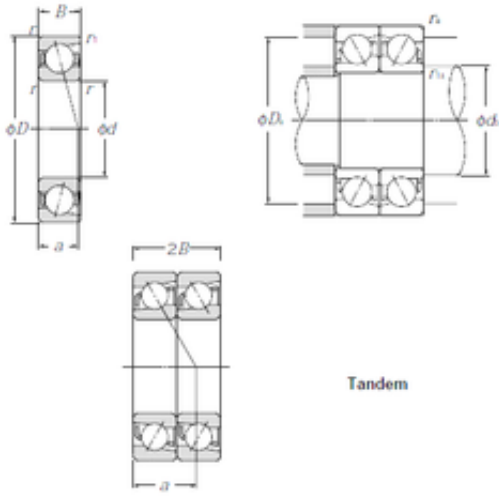




# KRS Guide Wheel Bearing Co., Ltd

110 mm x 170 mm x 28 mm CYSD 7022DT  
angular contact ball bearings

Bearing No. 7022DT



7022DT Bearing 2D drawings and 3D CAD models

Size	110x170x28 mm
Bore Diameter	110 mm
Outer Diameter	170 mm
Width	28 mm
d	110 mm
D	170 mm
B	28 mm
C	28 mm
Angle ( ° )	25 °
r min.	2 mm
2B	56 mm
Weight	4,6 Kg
Basic dynamic load rating (C)	149 kN
Basic static load rating (C0)	186 kN
(Grease) Lubrication Speed	3100 r/min