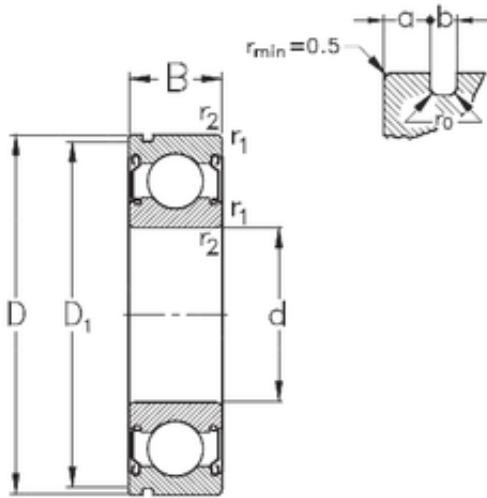




KRS Guide Wheel Bearing Co., Ltd

110 mm x 170 mm x 28 mm NKE 6022-2Z-N
deep groove ball bearings



Bearing No. 6022-2Z-N

Size	110x170x28 mm
Bore Diameter	110 mm
Outer Diameter	170 mm
Width	28 mm
d	110 mm
D	170 mm
B	28 mm
C	28 mm
a	5,69 mm
b	3,5 mm
f	3,1 mm
r1 min.	2 mm
r2 min.	2 mm
D1	163,65 mm
D2	182,9 mm
Weight	1,97 Kg
Basic dynamic load rating (C)	82 kN
Basic static load rating (C0)	73 kN

6022-2Z-N Bearing 2D drawings and 3D CAD models