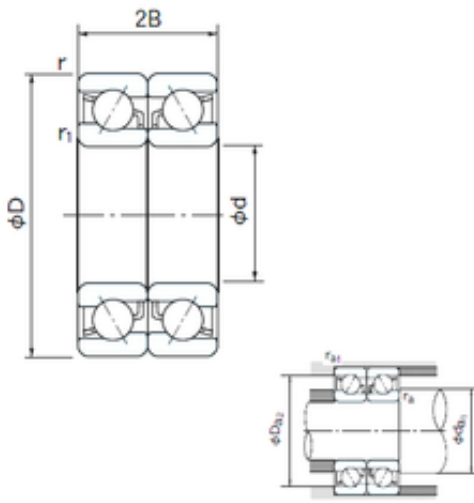




KRS Guide Wheel Bearing Co., Ltd



7022DB Bearing 2D drawings and 3D CAD models

110 mm x 170 mm x 28 mm NACHI 7022DB
angular contact ball bearings

Bearing No. 7022DB

Size	110x170x28 mm
Bore Diameter	110 mm
Outer Diameter	170 mm
Width	28 mm
d	110 mm
D	170 mm
B	28 mm
C	28 mm
Angle (°)	30 °
a	26.2 mm
r min.	2 mm
r1 min.	1 mm
2B	56 mm
da min.	118 mm
Da max.	165 mm
ra max.	1 mm
Weight	2.14 Kg
Basic dynamic load rating (C)	149 kN
Basic static load rating (C0)	185 kN
(Grease) Lubrication Speed	2500 r/min
Bore Type	Cylindrical Bore
Enclosure	Open
Configuration	Duplex
Bore Size	110 mm
Outside Diameter	170 mm



KRS Guide Wheel Bearing Co., Ltd

Width	28 mm
Fillet Radius/Chamfer	2 mm
r1	1 mm
Dynamic Load Rating	149,000 N
Static Load Rating	185,000 N
Limiting Speed - Grease	2,500 rpm
Limiting Speed - Oil	3,300 rpm
da1 (min)	118 mm
da2 (min)	118 mm
Da1 (max)	162 mm
Da2 (max)	165 mm
ra (max)	2 mm
ra1 (max)	1 mm