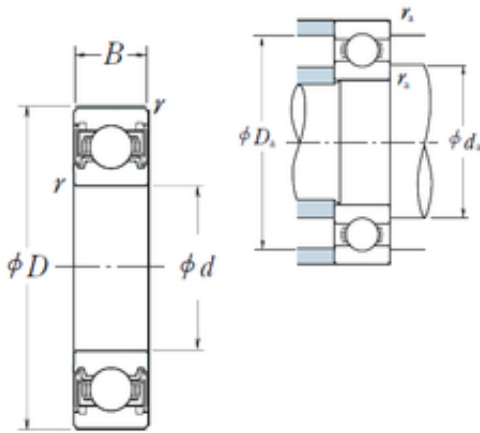




KRS Guide Wheel Bearing Co., Ltd



110 mm x 170 mm x 28 mm NSK 6022VV deep groove ball bearings

Bearing No. 6022VV

6022VV Bearing 2D drawings and 3D CAD models

Size	110x170x28 mm
Bore Diameter	110 mm
Outer Diameter	170 mm
Width	28 mm
d	110 mm
D	170 mm
B	28 mm
C	28 mm
r min.	2 mm
da min.	119 mm
da max	124,5 mm
Da max.	161 mm
ra max.	2 mm
Weight	1,94 Kg
Basic dynamic load rating (C)	85 kN
Basic static load rating (C0)	73 kN
(Grease) Lubrication Speed	3 800 r/min
SRI	9.86
hidYobi	6022VV
LangID	1
D_	170
SREX	0.04
B_	28
da min	119
hidTable	ecat_NSRDGB



KRS Guide Wheel Bearing Co., Ltd

SRE	9.86
mass	1.94
GRS rpm	3800
ra	2
SRIX	0.04
D_a	161
SRIN	-0.04
C0	73
fo	15.5
SREN	-0.04
DE_	159.05
Prod_Type3	DGBB_SR_VV
DA_	19.05
bomp	0
Z_	13
yobi	6022VV
C_conv	85000
ALPHA_	0
SDM_	140
r	2
KBRG	6151
SBRG	10
DI_	120.95