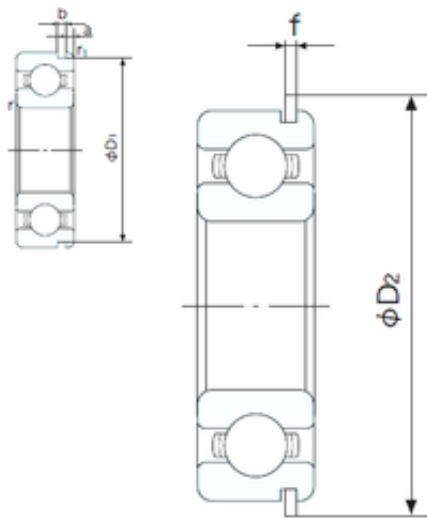




# KRS Guide Wheel Bearing Co., Ltd



110 mm x 170 mm x 28 mm NACHI 6022NR  
deep groove ball bearings

Bearing No. 6022NR

6022NR Bearing 2D drawings and 3D CAD models

Size	110x170x28 mm
Bore Diameter	110 mm
Outer Diameter	170 mm
Width	28 mm
d	110 mm
D	170 mm
B	28 mm
C	28 mm
a	3.71 mm
b	3.5 mm
f	3.1 mm
r min.	2 mm
r1 min.	0.5 mm
D1	163.65 mm
D2	182.9 mm
Weight	1.91 Kg
Basic dynamic load rating (C)	84,5 kN
Basic static load rating (C0)	73 kN
(Grease) Lubrication Speed	3800 r/min
Bore Type	Cylindrical Bore
Configuration	Single Row
Enclosure	Snap Ring Groove with Snap Ring
Bore Size	110 mm
Outside Diameter	170 mm



## KRS Guide Wheel Bearing Co., Ltd

Width	28 mm
Fillet Radius/Chamfer	2 mm
r1	0.5 mm
Snap Ring Width	3.1 mm
Snap Ring Outside Diameter	182.9 mm
D1 (max)	163.7 mm
a (max)	3.7 mm
b (min)	3.5 mm
Dynamic Load Rating	84,500 N
Static Load Rating	73,000 N
Limiting Speed - Grease	3,800 rpm
Limiting Speed - Oil	4,500 rpm
Factor fo	15.5
Radial Clearance	0.015 to 0.041 mm
da (min)	118 mm
Da (max)	162 mm
Dx (min)	185 mm
ra (max)	2 mm
Cy (max)	6.4 mm