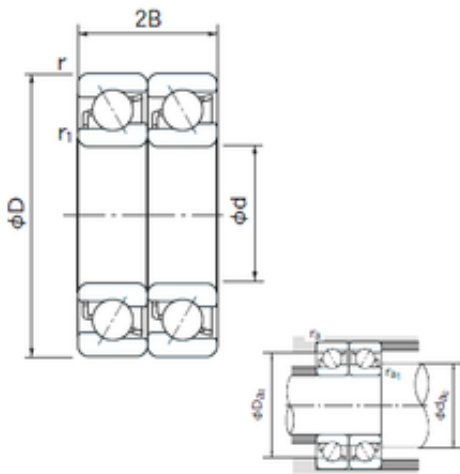




KRS Guide Wheel Bearing Co., Ltd



110 mm x 170 mm x 28 mm NACHI 7022CDT angular contact ball bearings

Bearing No. 7022CDT

7022CDT Bearing 2D drawings and 3D CAD models

| | |
|-------------------------------|------------------|
| Size | 110x170x28 mm |
| Bore Diameter | 110 mm |
| Outer Diameter | 170 mm |
| Width | 28 mm |
| d | 110 mm |
| D | 170 mm |
| B | 28 mm |
| C | 28 mm |
| Angle (°) | 15 ° |
| a | 2.2 mm |
| r min. | 2 mm |
| r1 min. | 1 mm |
| 2B | 56 mm |
| da min. | 118 mm |
| Da max. | 165 mm |
| ra max. | 1 mm |
| Weight | 2.14 Kg |
| Basic dynamic load rating (C) | 173 kN |
| Basic static load rating (C0) | 209 kN |
| (Grease) Lubrication Speed | 4600 r/min |
| Bore Type | Cylindrical Bore |
| Enclosure | Open |
| Configuration | Duplex |
| Bore Size | 110 mm |
| Outside Diameter | 170 mm |



KRS Guide Wheel Bearing Co., Ltd

| | |
|-------------------------|-----------|
| Width | 28 mm |
| Fillet Radius/Chamfer | 2 mm |
| r1 | 1 mm |
| Dynamic Load Rating | 173,000 N |
| Static Load Rating | 209,000 N |
| Limiting Speed - Grease | 4,600 rpm |
| Limiting Speed - Oil | 6,300 rpm |
| da1 (min) | 118 mm |
| da2 (min) | 118 mm |
| Da1 (max) | 162 mm |
| Da2 (max) | 165 mm |
| ra (max) | 2 mm |
| ra1 (max) | 1 mm |